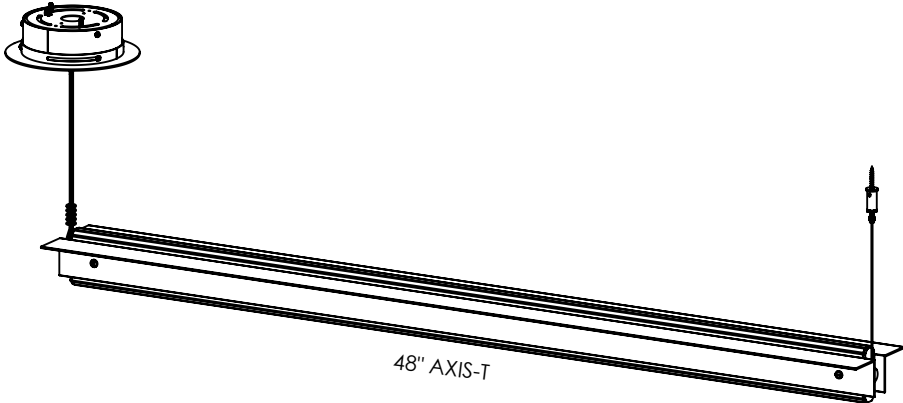
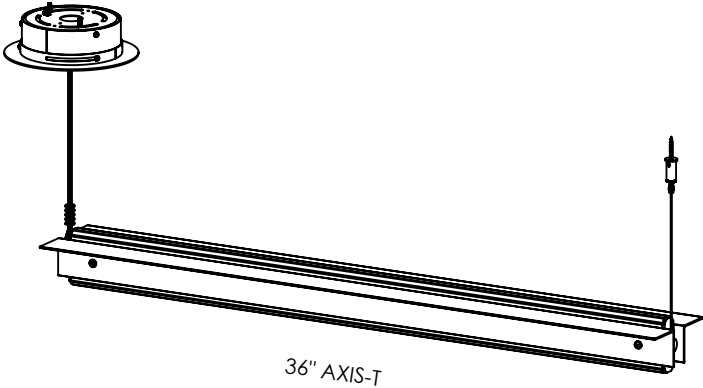


# JUNIPER®

## AXIS T Local (Without Independent Dimming) Installation Guide



**WARNING**

**A LICENSED ELECTRICIAN SHOULD PERFORM INSTALLATION. DISCONNECT MAIN POWER AT THE SOURCE PRIOR TO INSTALLATION.**

**INSTRUCTIONS MEANT FOR REMOTE CLASS 2 DRIVER(S).**

**DUE TO HEAVY WEIGHT OF THE FIXTURE, EXTRA CAUTION IS REQUIRED WHEN HANDLING.**

**PREFERABLY, TWO PEOPLE SHOULD BE INVOLVED IN THE INSTALLATION OF THE FIXTURE.**

**STEP 1: MARK MOUNTING POINTS**

Carefully mark the mounting points with a pencil or marker, using the spacing in Figure 1. **It is highly recommended to use a laser alignment/ measuring tool to ensure that mounting points are properly distanced.**

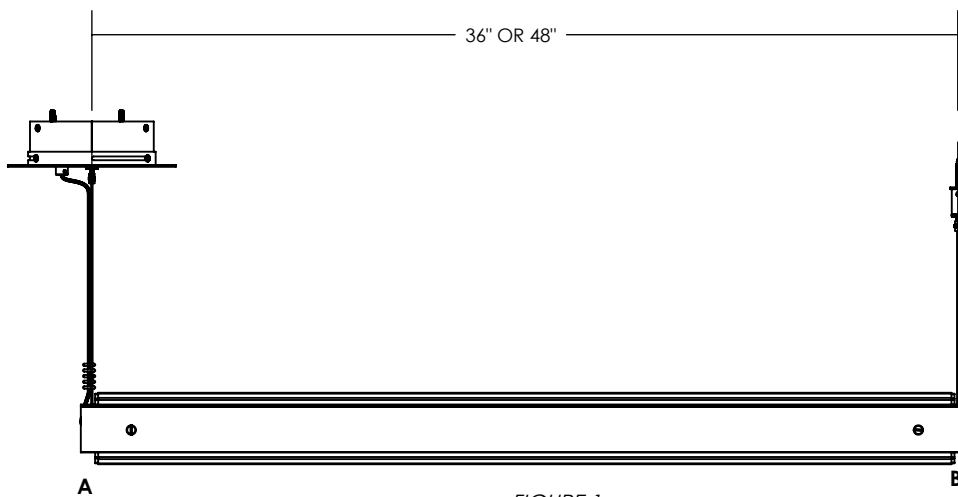


FIGURE 1

**KEY**

**A POWER END** CANOPY PLATE OR MINI MOUNTING PLATE IS MOUNTED AT POWERED END OF THE FIXTURE (SEE POWER FEED OPTIONS).

**B CEILING POST** MOUNTED AT THE NON-POWERED END OF THE FIXTURE.

**STEP 2: JUNCTION BOX COVER PLATE INSTALLATION INSTRUCTIONS**

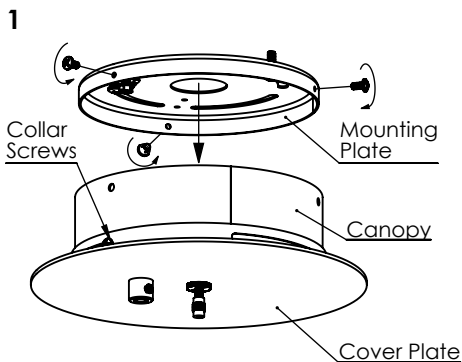


FIGURE 2

Remove screws from the canopy assembly to release the mounting plate. Cover plate can be rotated by loosening the collar screw.

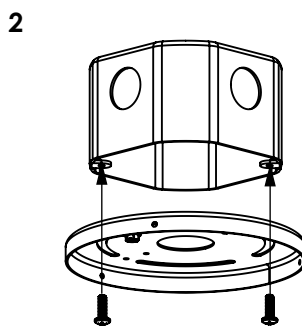


FIGURE 3

Attach the mounting plate to the junction box using provided screws.

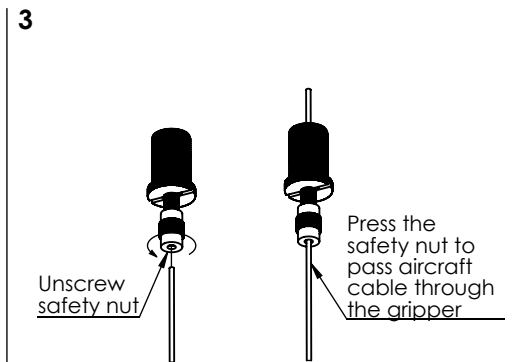
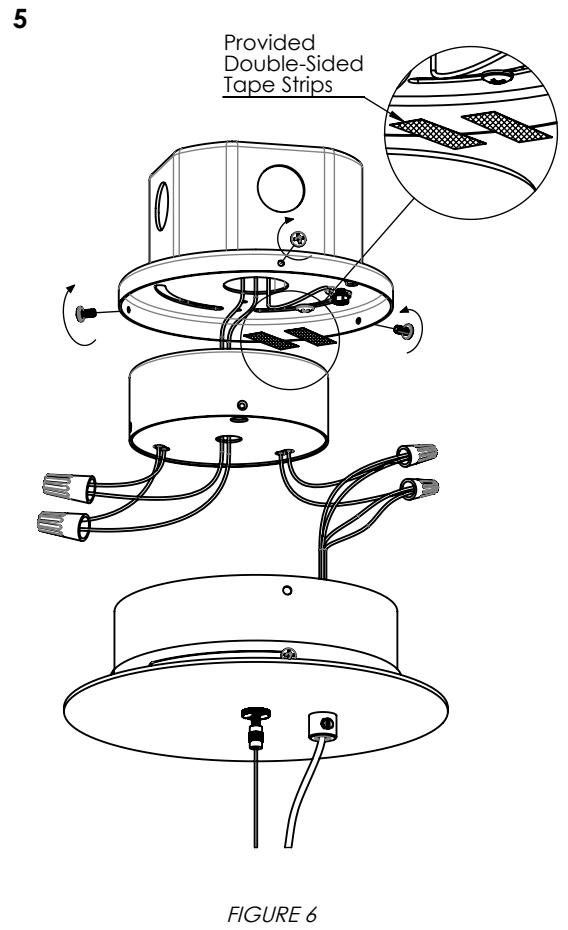
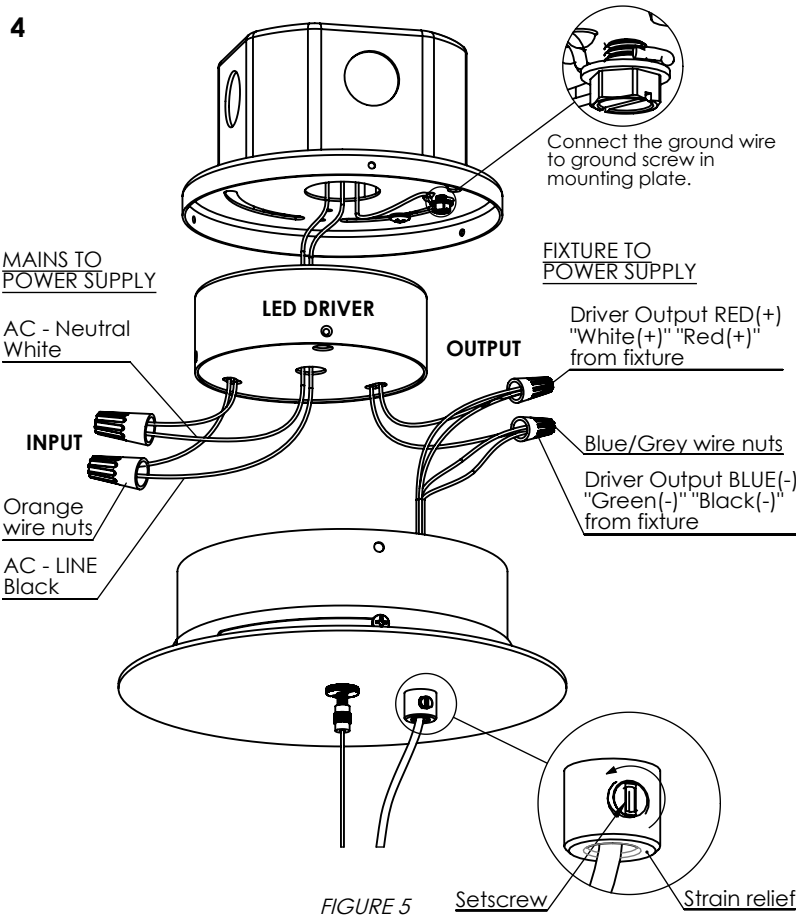


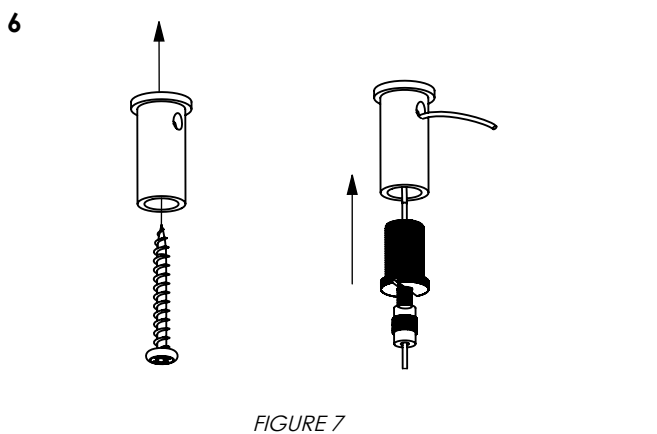
FIGURE 4

Partly loosen safety nut on cable gripper. Feed aircraft cable through the gripper. Do this for all aircraft cable ends.



Loosen the set screw on the strain relief. Pass power cable through the strain relief as shown. Connect wires according to diagram (wires nuts provided). **Length of power cord should be adjusted for desired suspension height. AC wires to driver are not provided. Tighten the setscrew on strain relief after adjustment.**

A. Attach LED Driver to mounting plate using provided double-sided tape strips.  
 B. Place wires inside canopy and attach the canopy to mounting plate using screws removed during first instruction.

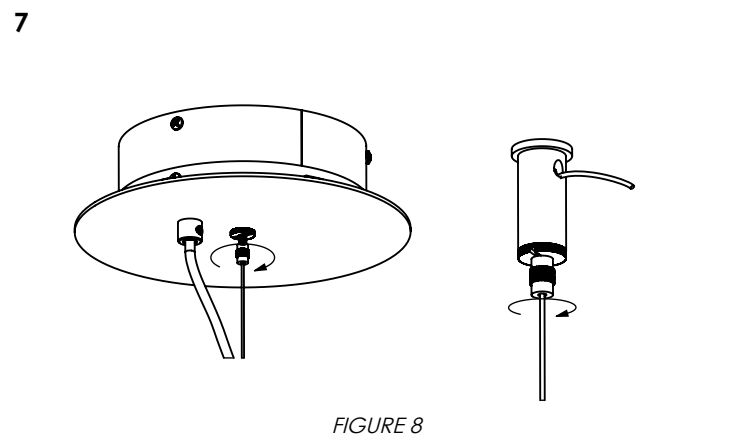


Install ceiling posts at B mounting point using provided screws. Screw gripper into ceiling post.

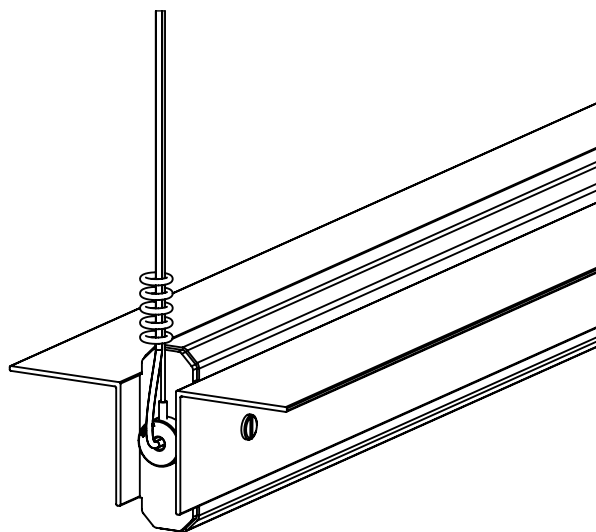
Woodscrews are provided for default installation. Alternate screws may be used at the recommendation of an electrician.

**Use laser alignment/ measuring tool to ensure accurate placement of the ceiling post.**

**Blocking is required for drywall mounting.**



Adjust aircraft cable length as needed. Press safety nut on gripper to loosen aircraft cable. Tighten safety nut in completely when finished. **Do not cut extra aircraft cable until full fixture is assembled and desired suspension height is achieved.**

**STEP 3: CONSTRAINING THE POWER CORD***FIGURE 9*

Space the O-rings apart at the power end along the length of the cable to constrain the power cord to aircraft cable.

**CARE INSTRUCTIONS**

Brass will patina over time like other natural metals and regular care is required in order to retain the quality finish of your fixture for years to come.

Gently wipe with a damp cloth to remove dirt, dust, and fingerprints.

Do not use any chemical cleaning solution.

Use indoors only.